

CX17C Excavator | 2018



CX17C Excavator Specifications

Technical Data

Base operating weight - approximate

Base - Total	1 775 kg
w/ canopy and short arm	

Engine data

Model	Kubota D902	
Type	Diesel, mechanical fuel injection, water-cooled	
No. of cylinders	3	
Emissions certification	Tier 4 Final	
Displacement	898 cc	
Gross Horsepower	SAE J1995	12.5 kW @ 2300 RPM
Net Horsepower	SAE J1349	11.8 kW @ 2300 RPM
Maximum engine torque	53.54 Nm @ 1900 RPM	
Electrical system	12 volt – 40 amp alternator	
Batteries	1 x 12 volt x 45 Ah – 420 CCA	

Drivetrain

Travel speeds:	
1 st	2.2 kph
2 nd	4.2 kph
Maximum traction force	1 420 kg
Gradeability	30° (58%)
Ground pressure	ROPS – 3.98 psi

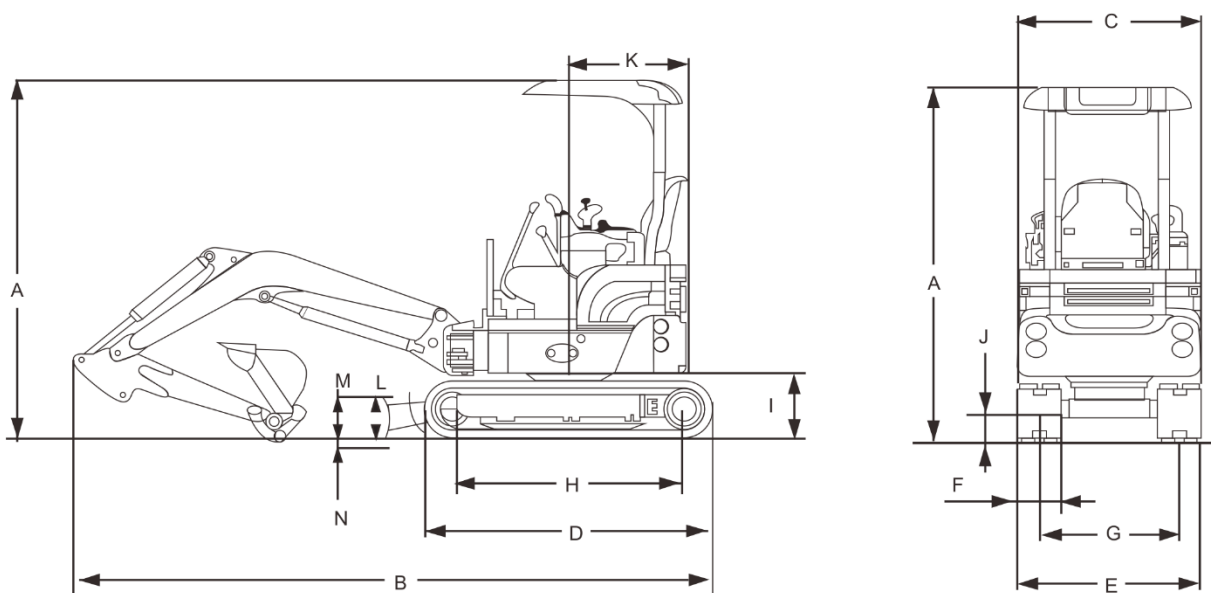
Other specifications

Swing speed	0 – 9.5 RPM
Undercarriage track rollers	3 each
Boom:	
Length	1.8 m
Swing	70° left / 54° right
Arm length:	
Standard	0.96 m
Long	1.12 m



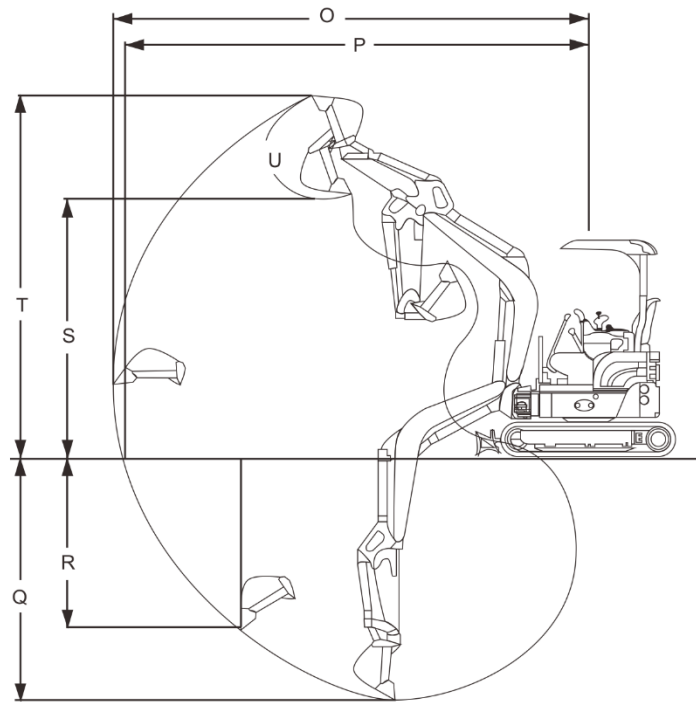
Dimensions (all dimensions are approximate)

Arm	0.96 m	G = Track gauge	
A = Overall height	2 320 mm	Retracted	760 mm
B = Overall transport length	3 480 mm	Extended	1 070 mm
C = Width of upper structure	890 mm	H = Centre to centre – idler to sprocket	1 230 mm
D = Track overall length	1 590 mm	I = Upper structure ground clearance	440 mm
E = Track overall width	1 300 mm	J = Minimum ground clearance	170 mm
F = Track shoe width	230 mm	K = Tail swing radius	
Tail swing overhang		Standard counterweight	645 mm
Standard counterweight	0 mm	Additional counterweight	720 mm
Additional counterweight	70 mm	Boom swing	70° left/54° right



Performance specifications

	With 0.96 m Arm		With 1.12 m Arm
O = Maximum dig radius	3900 mm	O = Maximum dig radius	4 030 mm
P = Dig radius at groundline	3 800 mm	P = Dig radius at groundline	3 940 mm
Q = Maximum dig depth	2 200 mm	Q = Maximum dig depth	2 350 mm
R = Vertical straight wall dig depth	1 320 mm	R = Vertical straight wall dig depth	2 670 mm
S = Dump height	2 570 mm	S = Dump height	3 680 mm
Arm digging force:	870 kgf/8.5 kN	Arm digging force:	775 kgf/7.6 kN
Bucket digging force:	1 580 kgf/15.5 kN	Bucket digging force:	1 580 kgf/15.5 kN



Lifting Capacity

Standard arm 0.96 m, 0.04 m³ bucket (SAE heaped) bucket, 230 mm rubber track, 188kg counterweight

	LOAD RADIUS										AT MAX REACH		
	1.0 m		1.5 m		2.0 m		2.5 m		3.0 m		Reach	Capacity	
	End	Side	End	Side	End	Side	End	Side	End	Side	@	End	Side
2.5 m							310 kg*	310 kg*			2.74 m	260 kg*	260 kg*
2.0 m							320 kg*	320 kg*	320 kg*	230 kg	3.07 m	260 kg*	220 kg
1.5 m					440 kg*	440 kg*	370 kg*	310 kg	340 kg*	230kg	3.27 m	260 kg*	190 kg
1.0 m					610 kg*	430 kg	520 kg*	290 kg	410 kg*	210 kg	3.36 m	280 kg*	180 kg
0.5 m					740 kg*	400 kg	520 kg*	290 kg	410 kg*	210 kg	3.36 m	310 kg*	180 kg
0 m			690 kg*	640 kg	790 kg*	390 kg	550 kg*	280 kg	420 kg*	210 kg	3.26 m	370 kg*	200 kg
-0.5 m	730 kg*	730 kg*	1 020 kg*	840 kg	760 kg*	390 kg	540 kg*	270 kg	400 kg*	210 kg	3.06 m	390 kg*	200 kg
-1.0 m	1 030 kg*	1 030 kg*	990 kg*	650 kg	670 kg*	390 kg	480 kg*	280 kg			2.71 m	410 kg*	240 kg
-1.5 m	1 220 kg*	1 220 kg*	690 kg*	670 kg	470 kg*	410 kg					2.13 m	420 kg*	370 kg

* Lift capacities are based on ISO 10567

Lift capacities shown in kg do not exceed 75% of the tipping load with the machine on firm, level ground or 87% of the hydraulic lift capacity

Capacities that are marked with an asterisk (*) are hydraulic limited

The lift point is a hook located on the back of the bucket

