

CX235C Excavator | 2018



CX235C Excavator Specifications

Technical Data

Base operating weight - approximate

Base - Total	25 400 kg
w/ shoes	800 mm
w/ boom	5 700 mm
w/ arm	2 940 mm
w/ bucket	651 kg
w/ counterweight	5 940 kg

Engine data

Model	Isuzu AM-4HK1X
No. of cylinders	In Line 4
Type	Water-cooled, 4-cycle, high pressure common rail system, Turbo-charged w/ air cooled intercooler, DPD system
Bore & stroke	115 x 125 mm
Displacement	5.2 L
Engine certified to:	Tier 4 Interim
Electrical system	24 volt – 50 amp alternator
Batteries	2 x 12 volt, 92 Ah/4 hours reserve capacity

Drivetrain

Travel control	Dual stage relief / counter balance design
Brakes	Mechanical disc
Service brakes	SAHR disc – each motor
Two speed travel:	
Max. high speed	5.0 kph
Max low speed	3.2 kph
Automatic downshift	
Drawbar pull	201 kN
Gradeability	70% - 35° slope



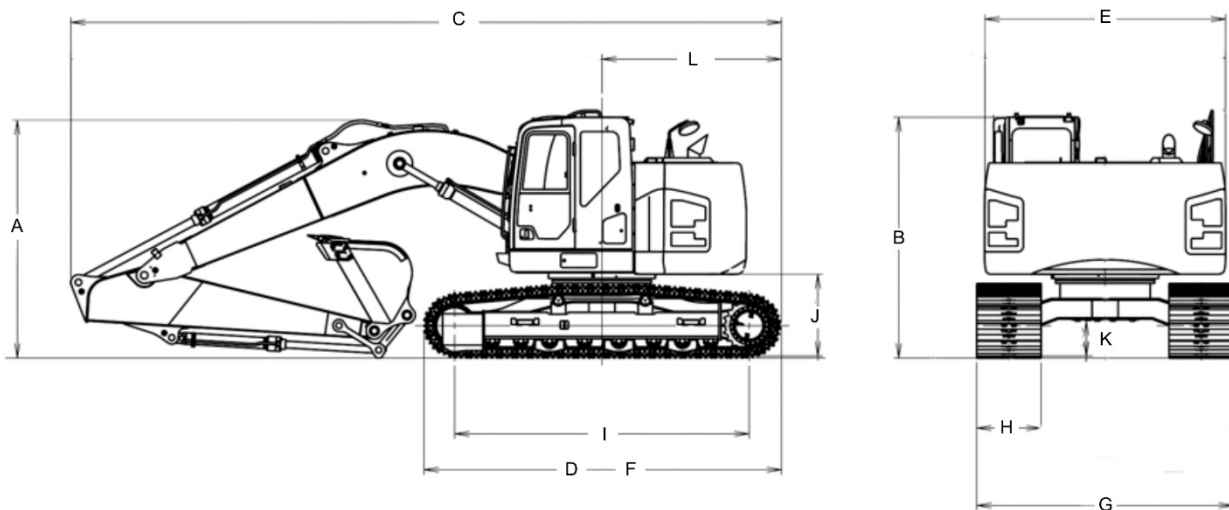
Other specifications

Swing speed	0 – 11.8 RPM
Swing torque	64 000 Nm
Undercarriage:	
Length	4 470 mm
Track gauge	2 400 mm
Carrier rollers	2
Track rollers	8
Shoes – Triple grouser	49
Shoe width – std.	800 mm
Link pitch	190 mm



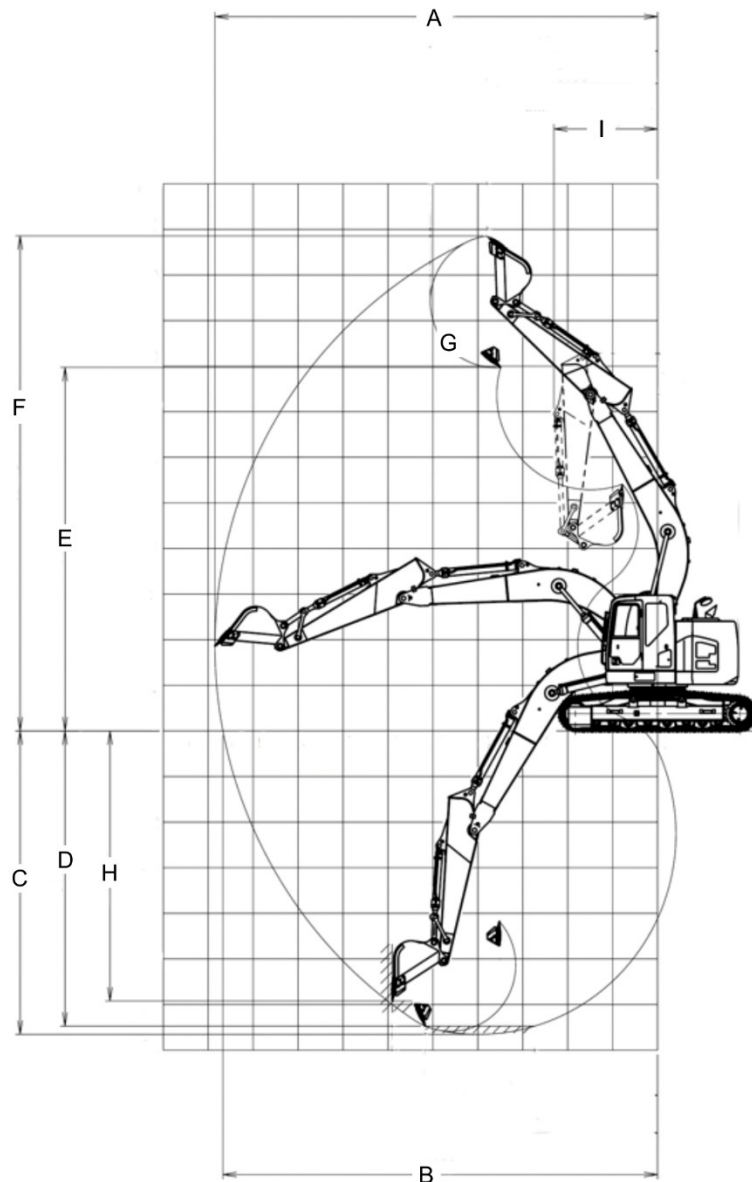
Dimensions (all dimensions are approximate)

	2.40 m Arm	2.94 m Arm
A = Overall height – with attachment	3 180 mm	3 090 mm
B = Cab height	3 040 mm	3 040 mm
C = Overall length – with attachment	8 920 mm	8 830 mm
D = Overall length – without attachment	4 470 mm	4 470 mm
E = Width of upper structure	2 990 mm	2 990 mm
F = Track overall length	4 470 mm	4 470 mm
G = Track overall width with 600 mm shoes	3 190 mm	3 190 mm
H = Track shoe width	800 mm	800 mm
I = Centre to centre – idler to sprocket	3 660 mm	3 660 mm
J = Upper structure ground clearance	1 020 mm	1 020 mm
K = Minimum ground clearance	440 mm	440 mm
L = Rear tail swing radius	1 720 mm	1 729 mm
Operating weight	25 312 kg	25 400 kg
Ground pressure	5.8 psi	5.8 psi



Performance specifications (2.40 m Arm)

A = Maximum dig radius	9 370 mm	F = Maximum reach height	10 515 mm
B = Dig radius at groundline	9 180 mm	G = Bucket rotation	177°
C = Maximum dig depth	6 120 mm	H = Maximum vertical wall dig depth	5 480 mm
D = Dig depth – 2.44 m level bottom	5 910 mm	I = Minimum swing radius	2 550 mm
E = Dump height	7 630 mm		
Arm digging force:		Bucket digging force:	
Standard	123 kN	Standard	142 kN
Power boost	132 kN	Power boost	152 kN



Lifting Capacity

CX235C Standard arm 2.40 m, 703 kg bucket, 5 940 kg counterweight

REACH

	1.5 m		3.0 m		4.5 m		6.0 m		7.5 m		At max reach		
	Front	Side	Front	Side	Front	Side	Front	Side	Front	Side	Front	Side	m
9.0 m					4 536*	4 536*					3 865*	3 865*	5.08
7.5 m					3 650*	3 651*	4 445*	4 445*			3 311*	3 311*	6.99
6.0 m					5 126*	5 126*	4 876*	4 876*	4 445*	3 719	3 130*	3 130*	8.05
4.5 m			8 165*	8 165*	6 509*	6 509*	5 398*	5 262	4 876*	3 651	3 107*	2 858	8.71
3.0 m			12 156*	12 156*	8 391*	7 870*	6 305*	5 058	5 284*	3 538	3 198*	2 631	8.99
1.5 m					9 820*	7 394	7 099*	4 808	5 443	3 402	3 402*	2 585	8.99
0 m			7 938*	7 938*	10 365*	7 099	7 507*	4 627	5 352	3 311	3 742*	2 699	8.71
-1.5 m	8 210*	8 210*	11 635*	11 635*	10 251*	7 053	7 484	4 581	5 330	3 289	4 400*	2 994	8.15
-3.0 m	11 476*	11 476*	13 585*	13 585*	9 503*	7 167	6 940*	4 672			5 148*	3 629	7.21
-4.5 m			10 637*	10 637*	7 507*	7 280					5 058*	5 058*	5.79

* Lift capacities shown in kg do not exceed 75% of the tipping load or 87% of the hydraulic lift capacity
Capacities that are marked with an asterisk (*) are hydraulic limited

CX235C Standard arm 2.94 m, 658 kg bucket, 5 940 kg counterweight

REACH

	1.5 m		3.0 m		4.5 m		6.0 m		7.5 m		9.0 m		At max reach		
	Front	Side	Front	Side	Front	Side	Front	Side	Front	Side	Front	Side	Front	Side	m
9.0 m					2 132*	2 132*							2 563*	2 563*	5.97
7.5 m							4 014*	4 014*					2 245*	2 245*	7.62
6.0 m							4 468*	4 468*	4 060*	3 833			2 132*	2 132*	8.61
4.5 m			4 967*	4 967*	5 579*	5 579*	4 967*	4 967*	4 559*	3 742	2 404*	2 404*	2 109*	2 109*	9.19
3.0 m			10 795*	10 795*	7 756*	7 756*	5 987*	5 171	5 035*	3 606	3 606*	2 631	2 200*	2 200*	9.47
1.5 m			9 525*	9 525*	9 457*	7 575	6 872*	4 899	5 488*	3 470	3 946*	2 563	2 336*	2 336*	9.47
0 m			8 800*	8 800*	10 319*	7 212	7 439*	4 695	5 398	3 357	3 084*	2 517	2 585*	2 495	9.22
-1.5 m	7 371*	7 371*	11 249*	11 249*	10 365*	7 076	7 507	4 603	5 330	3 311			3 016	2 722	8.69
-3.0 m	10 138*	10 138*	14 538*	13 971	9 911*	7 144	7 257*	4 627	5 284*	3 379			3 810*	3 221	7.82
-4.5 m	14 651*	14 651*	12 111*	12 111*	8 459*	7 326	5 919*	4 808					5 012*	4 309	6.50

* Lift capacities shown in kg do not exceed 75% of the tipping load or 87% of the hydraulic lift capacity
Capacities that are marked with an asterisk (*) are hydraulic limited

